




Carbon Monoxide is a colorless, odorless, tasteless, and highly toxic gas. It will reduce oxygen in the body's hemoglobin and can cause brain damage. Our QA23 is equipped with a precise and low power-consumption sensor. With high efficiency microprocessor-based analysis, it can be set to trigger at different carbon monoxide levels.

Advantages

- High luminous dual LEDs to indicate different status.
- Green LED to confirm the unit is operating normally.
- Each visible and audible warning has 4 modes to easily identify current status.
- Test button for alarm simulation.
- Dual power input: 12VDC and 24VDC operation in the same unit. No adjustment is required.
- **Optional 110VAC or 220VAC adaptor is available**
- Approvals: 

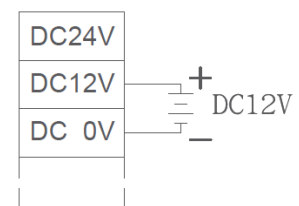
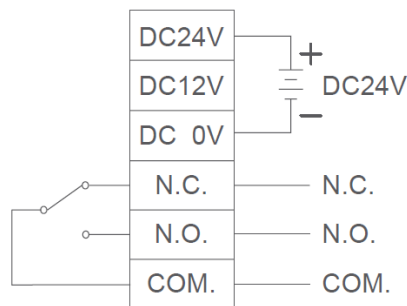
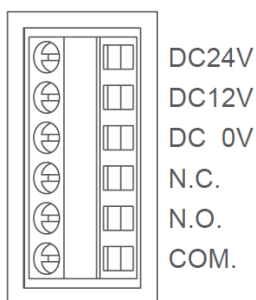
Technical Drawing



Specifications

Model	QA23	
Power Source	24V DC	12V DC
Alarm Current	1~25 mA	1~20 mA
Sensitivity	50 ppm : 60~90 min 100 ppm : 10~40 min 300 ppm : within 3 min	
Warm-up Period	About 3 minutes	
Alarm Sound	70db/3M and above	
Indicator	Standby: Red LED flashes every 60 sec. Early warning: Red LED flashes every 3 sec. and beeps every 3sec. Alarm: Red LED flashes and beeps every sec. Fault: Red LED flashes and beeps every 10 sec.	
Ambient Temperature	-10 °C ~ +55 °C	
Dimensions	102 mm (Dia.) × 40.5 mm (H)	
Weight	About 150 g	

Wiring method



Maintenance

This product does not need special maintenance. Self-tests should be performed regularly to ensure the detector is operating normally.

Installation Instructions

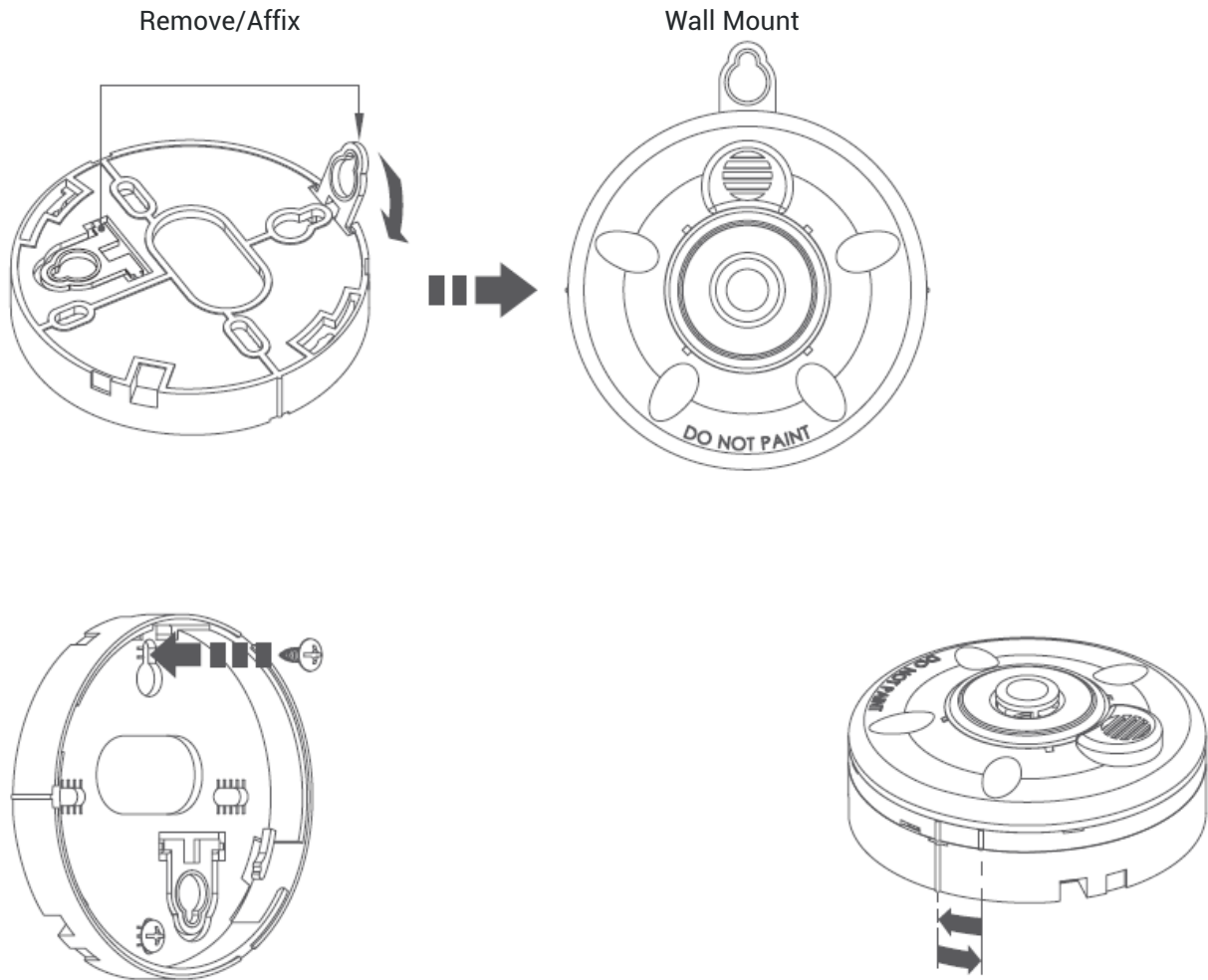
Recommended Location of Detectors

- Install detector near or within each separate sleeping area. (for example: living room, bedroom, corridor, basement, etc., at least 6 meters from heat source.)
- Ideal placement for indoor installation position is in a location where buzzer can be clearly heard.

Avoid these Locations

- QA23 should be away from any high-temperature heat source, within 4.6 meters and 1.5 meters away from cooking appliance.
- Avoid installing the QA23 in garages, kitchens, or in any extremely dusty, humid, greasy, and dirty locations.
- Should be kept away from children.
- Avoid installing the QA23 in the ceiling filled with stale air or near air vent and hanging fan.
- If you keep or use volatile chemicals in installation site, please store properly. Volatile chemical gas may disturb the result of alarm detection. Dismantle the QA23 detector when doing the projects like decoration or painting, but make sure to re-install and test when finished.

Mounting Detector



Screw to ceiling/wall (attach to ceiling/wall)
Base is mounted on the ceiling/wall, detector is fitted to the base

Lock (twist clockwise to lock)
Open (twist counterclockwise to open)

firedect GmbH

Leibnizstraße 4
72202 Nagold
D - Germany

T +49 7452 929 289 - 0
F +49 7452 929 289 - 9
E info@firedect.de
W www.firedect.de