



M01

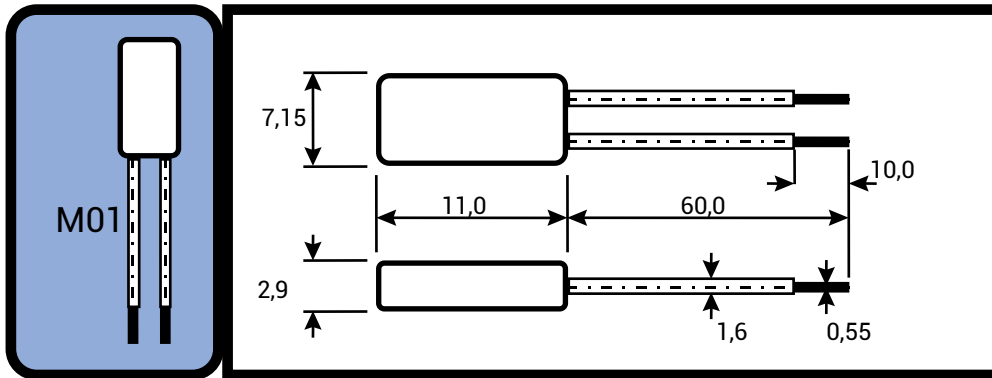


M03

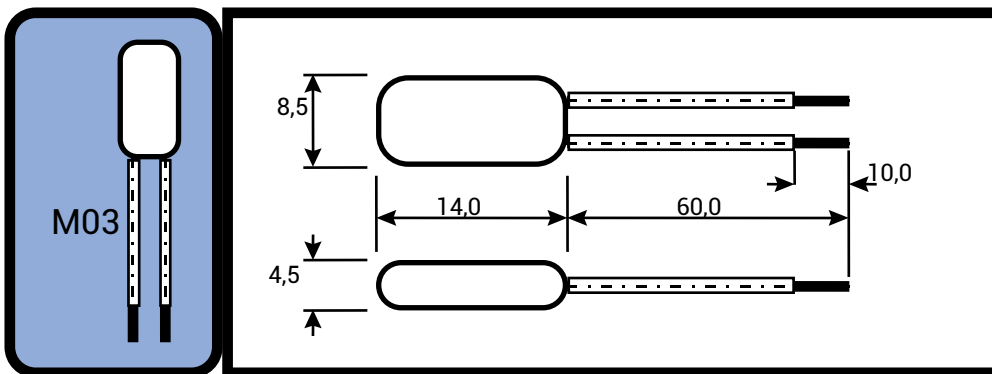


M015

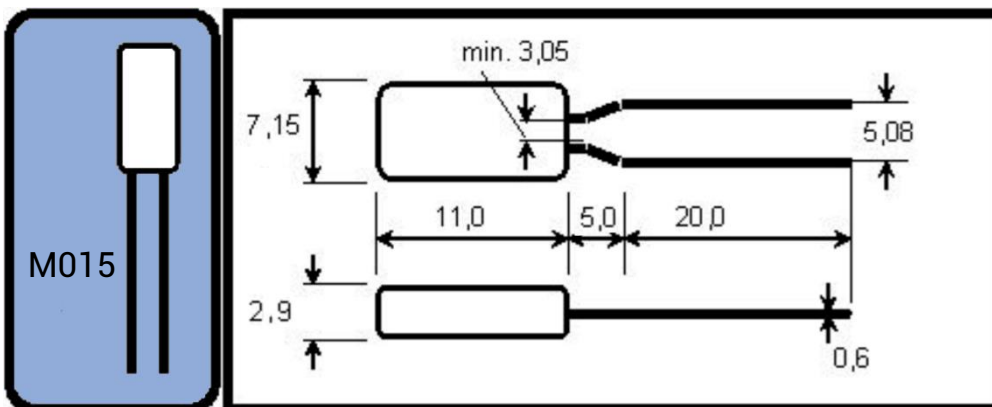
Technical Drawing



Temperature/Tolerance range: e.G. 120 05 for 120 °C ±5 °C
Dimensions: Wires max. 60 mm long, stripped to ca. 10 mm



Temperature/Tolerance range: e.G. 120 05 for 120 °C ±5 °C
Dimensions: Wires max. 60 mm long, stripped to ca. 10 mm



Temperature/Tolerance range: e.G. 120 05 for 120 °C ±5 °C
Dimensions: Wires max. 20 or 25 mm long

Application

Thermal switches are ideal for direct placement into engine and transformer windings, household appliances, and general equipment.

Operation

Opens the electrical circuit when activation temperature is reached. Closes automatically when temperature resets.

Features

Thermal switches offer stability of operating temperatures, excellent mechanical resistance to internal pressure, small size, insulated housing (M03 with Epoxy resin), can be integrated into engine windings.

Technical Data

Thermal Switch M01/M03/M015

Type	M01	M03	M015
Contact		Opener / NC	
Temperature Range		+60 °C to +160 °C	
Tolerance Range		±5 °C	
Standard Temperature Difference		30 K ±15 K Standard	
Switch Head Temperature Limit		min 0 °C, max. 160 °C	
Connectors		Wires-Standard Length 60 mm (0,25 mm ² (14x0.15 mm DIA))	Bare Wire Standard Length 20 or 25 mm
Approvals		VDE 40010886	
Housing Protection Grade		IP54 laut PN-79/e-08106	
Housing Conductivity	1200 V	2000V	1200V

Electrical Characteristics

Type	M01	M03	M015
Supply Voltage		250 V AC, 50-60 Hz 12 V DC	
Electric Load		2,5A cos φ = 1,0 (1,6) cos φ = 0,6 at 10.000 Cycles	
Maximum Load		4,0A cos φ = 1,0 at 200 Cycles (Beware of lower voltages from 24V/10mA)	

firedect GmbH

Leibnizstraße 4
72202 Nagold
D - Germany

T +49 7452 929 289 - 0
F +49 7452 929 289 - 9
E info@firedect.de
W www.firedect.de